

**EspetoSul**<sup>®</sup>  
Australia 

## Product Range

2023 - 2024 COLLECTION



**BARBEQUES  
GALORE**

[www.espetosul.com.au](http://www.espetosul.com.au)







# New 62cm Premium Rotisserie Kit

## Unveiling the New Version 62cm Premium Rotisserie Kit

In the realm of barbecue, precision and convenience reign supreme. The New Version 62cm Premium Rotisserie Kit is a culinary marvel meticulously designed for the ultimate grilling experience. Precision-crafted in Brazil for effortless use, this rotisserie kit redefines convenience and craftsmanship, offering a level of ease that's second to none. Whether it's Pork Belly, Lamb Leg, Rump Cap, Chickens, Beef Short Ribs, Pork Spare Ribs, Fish, or more, this kit is an absolute necessity for evenly cooked, mouth-watering dishes. Endorsed by the New Barbecue Alliance (NZBA) and cherished by professional barbecue teams, it has earned its stripes as a trusted favourite across New Zealand. Bid farewell to disruptive noise – this rotisserie operates in stealth mode, ensuring a serene cooking environment that lets your culinary skills shine.

### PRODUCT DETAILS:

- Fully Versatile BBQ rotisserie kit Fits perfectly on the traditional 57cm Weber Kettles plus easily fits on BBQ grills, kettles, kamados, Smokers, drums, open fires and many more options
- Adjustable from the standard 62cm length up to 82cm or 1meter (extra 20cm extensions or 80cm central rods accessories available)
- High Versatile to suit most BBQ occasions and make it work
- Designed and made in Brazil - the authentic barbecue land
- Manufactured from quality stainless steel 304 for superior corrosion resistance
- Long 34cm stainless steel claw to help secure meat on while cooking
- Portable and cordless design powered by 4 AA batteries (alkaline or rechargeable)
- Package size: W63cm X L11cm x H10cm
- Package includes 1 motorised stainless steel handle grip, 1 stainless steel centre rod 62cm long, 1 stainless steel claw 34cm long and 4 AA batteries
- 3 Years Warranty on all parts including the powered handle
- Dishwasher Safe (excluding powered handle)



Runs up to 50 hours with 4 AA Alkaline Batteries



Portable & Lightweight



No Powercord



Holds up to 5kgs of meat



Low noise engine



Includes 4 standard AA Batteries



3 year warranty

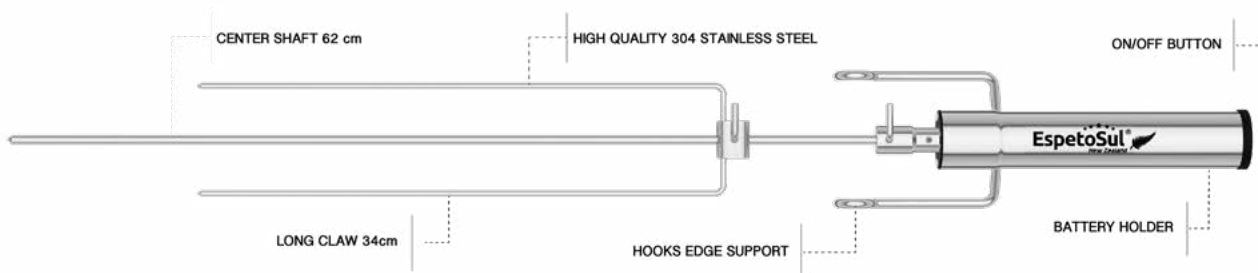




**With unmatched convenience and quality, you'll be sure to create perfectly grilled masterpieces every time. Enjoy your delicious BBQ meals anywhere - Anytime!**

The BBQ kit comes complete with accessories, making it the perfect BBQ investment. Now you can enjoy BBQing like a pro with Espetosul<sup>®</sup> BBQ rotisserie kits.

### Rotisserie Specifications:



- 1: Remove the battery support. Pull straight out, no need to twist it. Wipe clean with a cloth inside the handle and also the battery support around the rubber ring. (Some units can have a little bit of oil left from manufacturing, which could make the battery holder pop out.)
- 2: Insert 4 x AA batteries in the battery holder unit. When putting in the batteries, the positive end of the battery must match the positive terminal in the compartment, and vice versa. It is important that each battery is properly aligned inside the device.



# Kettle Rotisserie

FITS KETTLES AND GRILLS UP TO 78CM



5 Piece Set



INCLUDED

YOUR MEAT  
LOOKED  
EVENLY  
ALL THE  
TIME

\*Simple and Easy adjustment to any BBQ grill

**AUTOMATIC  
SPINNING ROTISSERIE**

POWERED BY 4 AA BATTERIES

BATTERY LIFE:  
✓ UP TO 50HR WITH ALKALINE BATTERIES

✓ UP TO 20HR WITH REGULAR BATTERIES

✓ SKEWER WEIGHT CAPACITY  
✓ UP TO 5KG

✓ 304 STAINLESS STEEL CONSTRUCTION

**EspetoSul®**







# EspetoSul® BBQ Rotisserie Basket

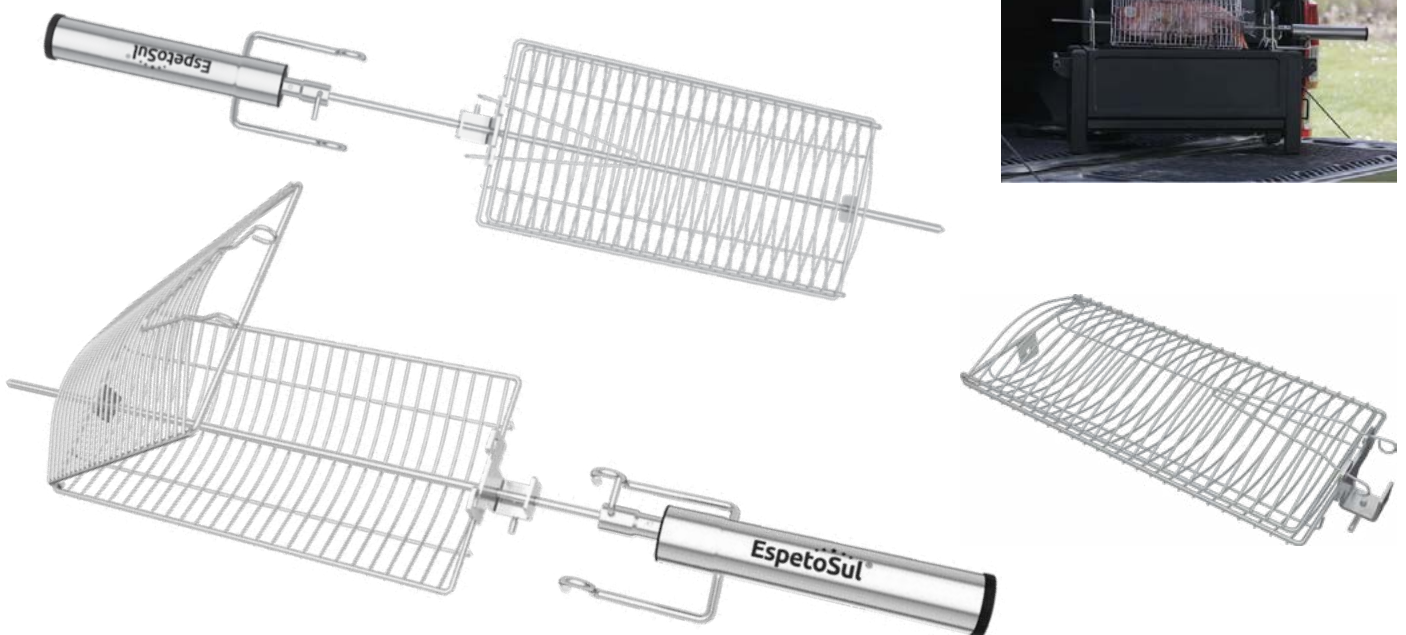
## Unleash your culinary creativity with the Espetosul Rotisserie Basket – available exclusively in New Zealand!

Experience tantalizing taste when you prepare succulent Pork Belly, delectable Salmon, savoury Snappers, delicate Butterfly Chicken, juicy Drumsticks and flavourful Vegetables. This top-notch Stainless Steel basket is perfect for all of your barbecue needs. Plus it's dishwasher friendly for easy cleaning and hassle free maintenance.

You can comfortably and securely attach the basket to your EspetoSul® Rotisserie central Rod so that it enhances cage cooking for whatever your imagination allows you. This product does not come with the rotisserie kit. Its an add on accessory.

### PRODUCT DETAILS:

- BBQ Rotisserie multi use Basket – ideal for BBQing a variety of meats or vegetables
- Designed & Made in Brazil High quality stainless steel construction for safe and easy grilling.
- Dishwasher friendly material makes clean up quick and easy.
- Attaches easily to our EspetoSul® rotisseries, making BBQing an effortless process.
- Perfect for serving meals for family and friends at any occasion.
- Multi-use Basket size 34cm x 17cm
- Box packaging size L40cm x W18cm x H7cm
- Net weight 700g
- 1 year warranty









# EspetoSul® Kebabs BBQ Carousel

## Feed Family and Friends in ONE GO!

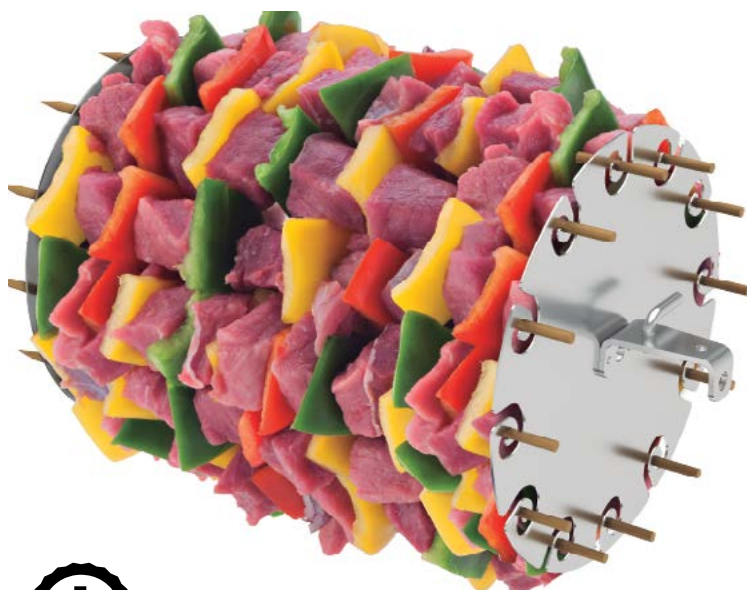
Introducing the EspetoSul® Kebabs BBQ Carousel – the perfect solution for grilling a variety of meats, seafood, vegetables, or a combination of these delectable treats. This kit includes 12 small skewers and attaches easily, making it an ideal choice for presenting a diverse range of delicious dishes to your family and friends. What's more, it's crafted from high-quality stainless steel that's dishwasher-friendly, ensuring that clean-up is always a breeze!

This product consists of a two-piece metal disc set. Using these discs, you can securely attach them to your EspetoSul® Rotisserie central rod, enhancing your cooking experience for short, medium, or long bamboo, wood, or metal skewers.

Please note that this product does not come with bamboo or metal skewers, but it is designed to perfectly accommodate thick bamboo skewers for optimal compatibility. So, get ready for a delightful barbecue experience! Happy Grilling!

### PRODUCT DETAILS:

- The best way to make kebabs with no need for turning by hand on the BBQ grid
- Designed & Made in Brazil High quality stainless steel construction for safe and easy grilling
- Dishwasher friendly material makes clean up quick and easy
- Attaches easily to our EspetoSul® rotisseries, making BBQing an effortless process
- Perfect for serving up appetisers or entrees to family and friends at any occasion
- Box packaging size L40cm x W18cm x H7cm
- Net weight 600g
- 1 year warranty





# EspetoSul® A100 Portable BBQ

## The little A100 Charcoal BBQ has all the right features to cook for small to medium size gatherings.

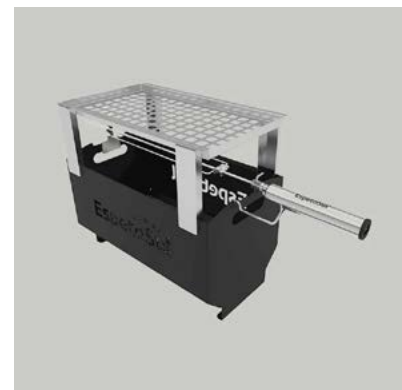
Our A100 Portable Charcoal BBQ has been expertly designed with portability in mind. Constructed from durable steel, it is lightweight and built to last. This BBQ ensures consistent cooking temperatures, guaranteeing that your food is cooked to perfection every time.

Ideal for intimate family barbecues, camping, boating, fishing, and hunting, the A100 is easy to transport and ready to use - no assembly required. It can even function as a pit!

Furthermore, the A100 is specifically designed to complement the EspetoSul® range of rotisserie kits and accessories. You can purchase it individually or as part of a set.

### PRODUCT DETAILS:

- Designed and made in Brazil the barbecue land!
- One Piece package – easy to transport
- Versatile 3 option cooking features
- Heating Grill and Rotisserie cooking allowed at the same time
- Or only straight up heating grill cooking
- Or only Rotisserie cooking
- Lightweight and no assembly required
- Can be used with 1 or 2 Espetosul Rotisseries
- High quality steel construction for safe and easy grilling
- A100 Unit size: L51cm x W29cm x H32cm
- Packaging size: L53cm x W31cm x H34cm
- Included in the package are: 1 A100 BBQ unit, 1 Fat & Charcoal Tray, 1 Cooking & Heating Gril, 4 small heating grill metal legs.
- Net weight 2kgs
- 1 year warranty





# EspetoSul® A300 Foldable BBQ

## The A300 Charcoal BBQ has all the right features to cook for medium to large gatherings.

The A300 Charcoal BBQ boasts all the right features for cooking at medium to large gatherings. Designed with a unique foldable concept for easy transport and portability, the A300 BBQ comes in a flatpack. The new A300 BBQ requires no tools to assemble; just use your bare hands! Constructed out of high-quality steel material to ensure durability, this barbecue is built to last.

It can be used in your backyard, during holidays, at the beach, with motorhomes, and is perfect for bush and camping enthusiasts alike. It's ideal for families who enjoy tasteful charcoal cooking. It's customized perfectly to accommodate up to 3 EspetoSul® Rotisseries simultaneously.

(Please note that no rotisseries are included with this product.)

For large gatherings, using 2 or 3 EspetoSul® Rotisseries with this BBQ can make the chef's life a breeze and serve up a feast in one go! It's important to have time to socialize when catching up with friends and family. Just let them spin to evenly cook your meats to perfection. Not only is this unit perfect for barbecuing, but it also doubles as a fire pit!

### PRODUCT DETAILS:

- Designed and made in Brazil the barbecue land!
- Flatpack package – easy to transport
- Foldable Customised design easy to assemble – no tools need it
- Assembling time 5 -10 minutes
- Can be used with the Rotisseries – up to 3 Espetosul Rotisseries
- High quality steel construction for safe and easy grilling
- Easy to disassemble and clean
- A300 assemble Unit size: L70cm x W60cm x H50cm
- Flatpack Packaging size: L72cm x W62cm x H10cm
- Net weight 4kgs
- 1 year warranty





# EspetoSul® A400 4 Tray Carousel

## The latest grilling technology!

Introducing the versatile A400 Tray Carousel, a brand-new and unique accessory from EspetoSul! This innovative product is designed to enhance your cooking experience with the EspetoSul Rotisserie Kit. It's compatible not only with our rotisserie kit but also with various other grilling options, such as BBQ grills, kettles, kamados, smokers, drums, open fires, and more.

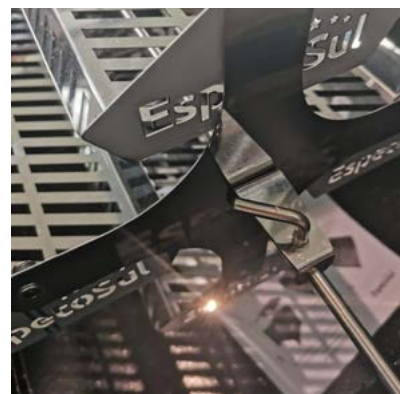
The A400 Tray Carousel features four durable stainless steel trays capable of holding a combined weight of up to 3 kilograms. With this accessory, you can easily cook a wide range of foods on a single rotisserie. Whether you're craving glazed Texas-style pork ribs, succulent beef cuts, flavourful chicken legs or wings, crispy pork belly, delicious seafood, roasted vegetables, savoury sausages, or garlic bread, the A400 Tray Carousel has you covered.

This versatile accessory is specifically designed for use with the EspetoSul Single Rotisserie Kit and is also compatible with the traditional Weber kettle (57cm).

Notably, it can be used with various grill types, including Weber, Oklahoma Joe Bronco, Big Green Eggs, Kamado JOE, Pit Barrels, open fires, and many more. So, regardless of your grilling setup, the A400 Tray Carousel is an excellent addition to your cooking arsenal.

### PRODUCT DETAILS:

- The A400 accessory adds on to the 62cm single rotisserie central rod
- Recommended to cook many different foods at the same time
- Designed and made in Brazil - the authentic barbecue land
- Manufactured from quality stainless steel 304 for superior corrosion resistance
- Secure - holds up to 4kgs of food while cooking
- Portable and dishwasher safe
- Package size: W20cm X L20cm x H5cm
- Package includes 2 stainless steel "X shape" attachment supports and 4 stainless steel trays
- 1 Year Warranty





# Rotisserie Rack Attachments

**Now you can have two or three of our premium rotisseries running at the same time on any round shape barbecue.**

## Rack Standard 57cm Kettles

- Attachment rack to suit most popular Kettle BBQs with a diameter of 57cm
- Specially Designed to fit two or three EspetoSul® NZ rotisseries units on any round shape 57cm Kettles Like Webers, Charmate, Oklahoma Joe and many more brands like it. Can be used with an open or closed lid
- EspetoSul® accessories can also be used
- This rack also fits the New Weber Kettle Joe



## Rack Ceramic Kamados 18inch

- This product seats on any 18inch Ceramic Kamados. If you have the Joe Classic Or Joe Classic II you can use this product
- You will need the extra 20cm extension to be added on your rotisserie when using the 18inch rack attachment
- Also fits all other 18inch Kamado Brands
- Can be used with an open or closed lid
- EspetoSul® accessories can also be used



## Rack Ceramic Kamados 24inch

- Specially designed to fit one, two OR three EspetoSul® rotisseries on the following models: Akorn, Kamado Joes, Weber Summit, Big Green Eggs, Pit Barrels, Broncos and other brands like it
- You will need the extra 20cm extension to be add on your rotisserie when using the 18inch rack attachment
- This product seats on any 24inch Ceramic Kamados
- The 24inch Rack Fits Big Joes, Webers Summit, Big Green Eggs, Oklahoma Joe Brocos, Akorn and other 24inch size models like it
- This product DOES NOT fit the Classic Joe & Classic Joe II or any 18inch size Kamado models
- Can be used with an open or closed lid
- EspetoSul® accessories can also be used









**MEATSTOCK**  
THE MUSIC AND MEAT FESTIVAL

NEW ZEALAND  
**BARBECUE**  
ALLIANCE



**EspetoSul**<sup>®</sup>  
Australia 





**EspetoSul**<sup>®</sup>  
Australia 

**BARBEQUES  
GALORE**